



VDC1 FD to P20 Conduit Fitting

Fittings › Product 16123

Description

This fitting allows VDC1 FD to connect to a P20 conduit. The fitting creates a smooth transition in both directions and maintains the pathway.

Applications

The fitting is ideal for FTTH and FTTB applications. The system works well with flat aerial drop cables.

Features/Benefits

- Creates a smooth transition in both directions
- Forms a durable well protected transition
- Glues into P20 conduit with standard PVC cement
- Cables can be pulled through, pushed through or inlaid into the fitting

Specifications

Nominal Weight

- Assembly weight --- 26 grams (0.057lbs)

Dimensions

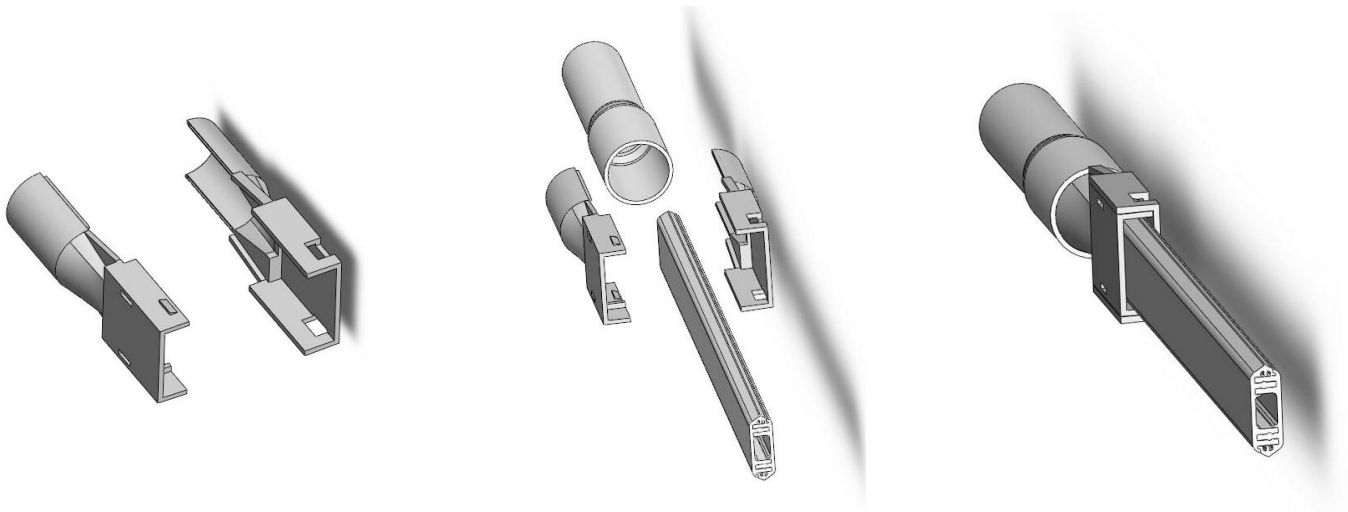
- Length of fitting --- 98mm (3.86")

Material

- Body --- Rigid PVC

Tools Required for Assembly

- PVC cement
- Flat file



TeraSpan Networks © 2019

www.teraspan.com

TeraSpan Networks ("TeraSpan") authorizes you to view and download the materials at this website ("Site") only for your personal, non-commercial use, provided that you retain all copyright and other proprietary notices contained in the original materials on any copies of the materials. You may not modify the materials at this Site in any way or reproduce or publicly display, perform, or distribute or otherwise use them for any public or commercial purpose. Any use of these materials on any other website or networked computer environment for any purpose is prohibited. The materials at this Site are copyrighted and any unauthorized use of any materials at this Site may violate copyright, trademark, and other laws. If you breach any of these Terms, your authorization to use this Site automatically terminates and you must immediately destroy any downloaded or printed materials.