



VDC5 to VDC1-FD Fitting

Fittings › Product 16602

Description

This fitting allows VDC1-FD (designed around flat drop cable) to connect to an individual channel of the VDC5 conduit. The fitting maintains the integrity of the pathway.

Applications

The fitting is ideal for FTTH and FTTB applications. The system works well with flat aerial drop cables.

Features/Benefits

- Creates a branch from the primary VDC route
- Maintains the pathway of the channel
- Can be installed into hard infrastructure with minimal disruption and excavation
- Designed to be easily installed onto the VDC conduit route during the network installation or post network installation on a live fiber network.
- Forms a durable well protected transition
- Cables can be pulled through, pushed through or inlaid into the fitting
- Allows networks to be built with a BUS style architecture vs. a star, which reduces conduit lengths and cost
- Design allows for unlimited re-entry
- Reduces the number of splice points and slack points required on a network

Specifications

Nominal Weight

- Assembly weight --- 185 grams (0.41lbs)

Installed Dimensions

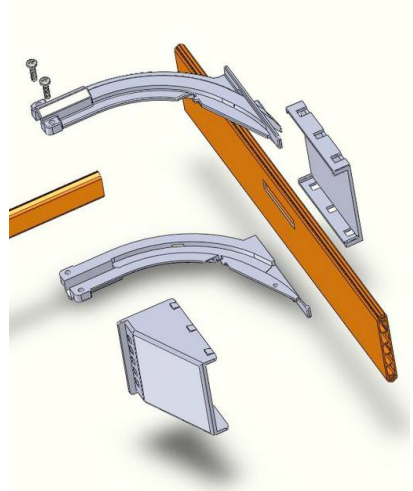
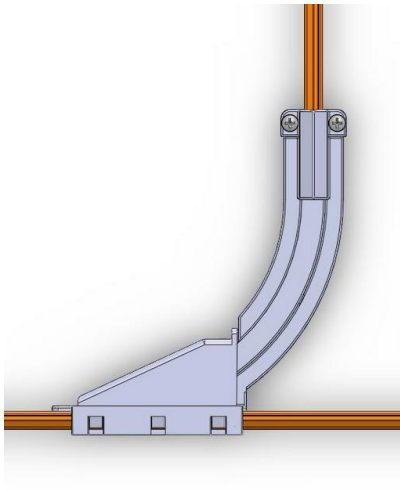
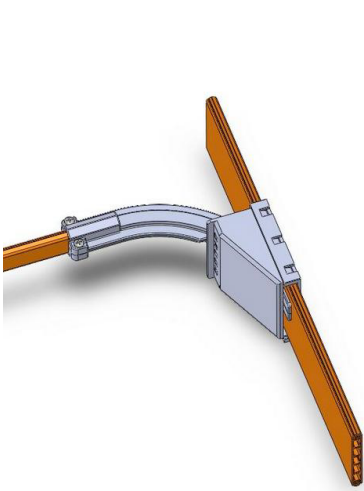
- Distance from edge to edge --- 95mm (3.76")
- VDC1-FD exit angle --- 90 deg
- Bend radius --- 110 mm (4.3")

Material

- Body --- 10% glass filled nylon
- Fastener --- Stainless Steel

Tools Required for Assembly

- Philips screw driver
- VDC5 punch tool



TeraSpan Networks © 2019

www.teraspan.com

TeraSpan Networks ("TeraSpan") authorizes you to view and download the materials at this website ("Site") only for your personal, non-commercial use, provided that you retain all copyright and other proprietary notices contained in the original materials on any copies of the materials. You may not modify the materials at this Site in any way or reproduce or publicly display, perform, or distribute or otherwise use them for any public or commercial purpose. Any use of these materials on any other website or networked computer environment for any purpose is prohibited. The materials at this Site are copyrighted and any unauthorized use of any materials at this Site may violate copyright, trademark, and other laws. If you breach any of these Terms, your authorization to use this Site automatically terminates and you must immediately destroy any downloaded or printed materials.